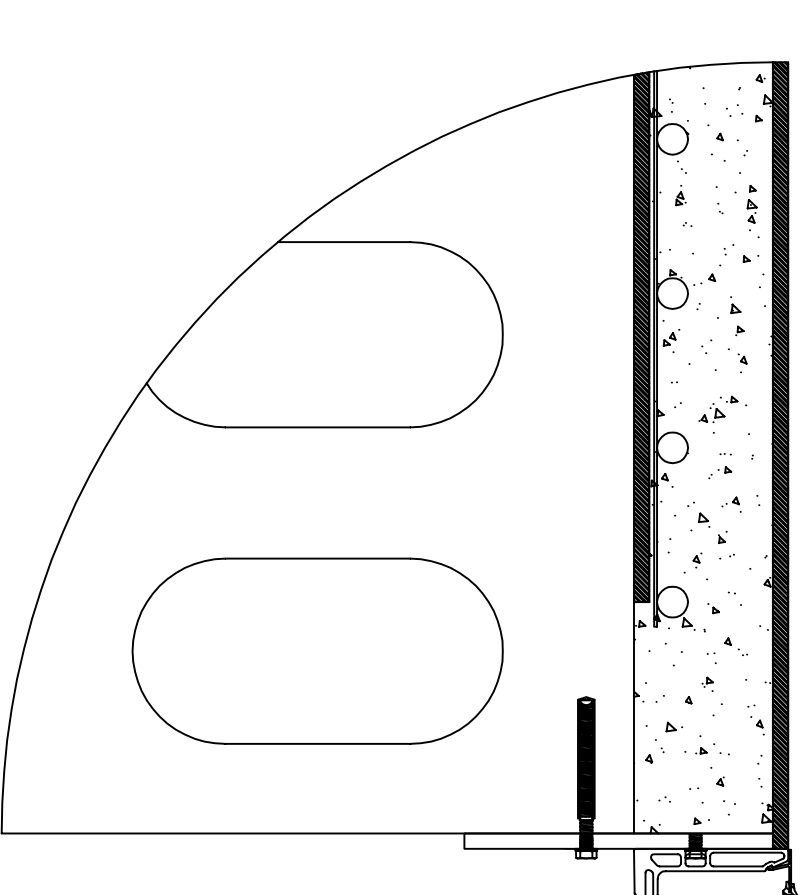
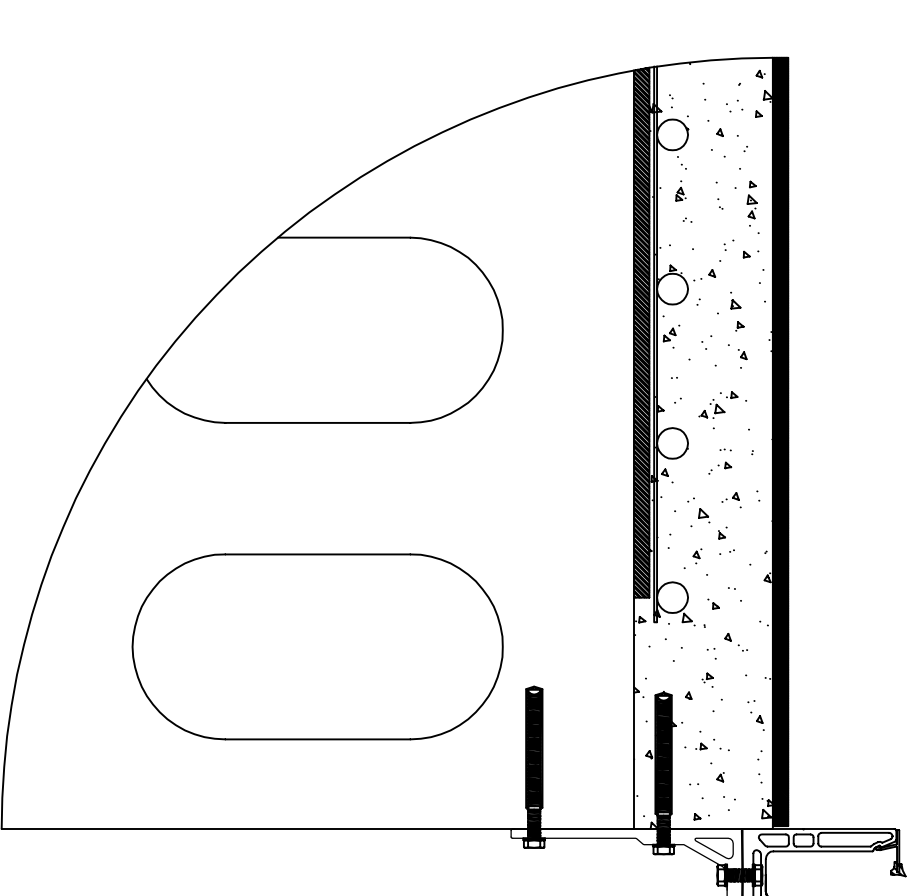
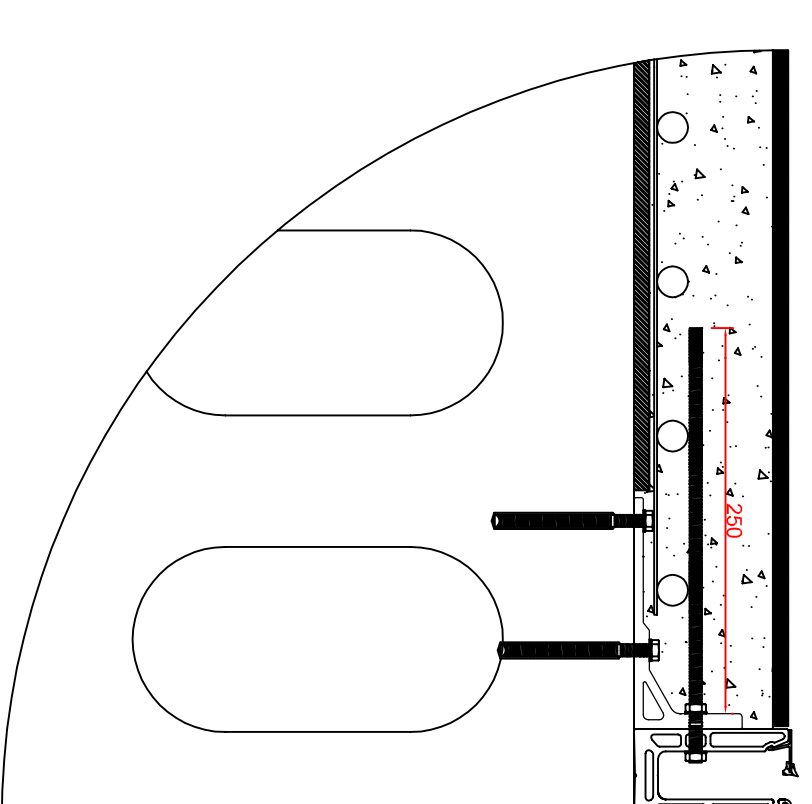
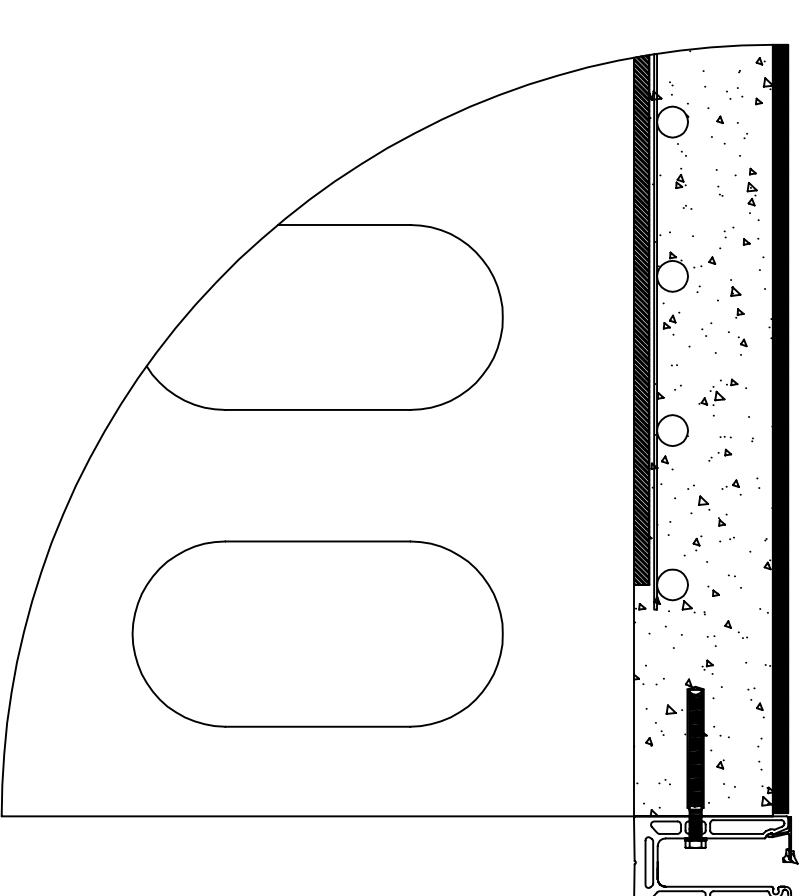
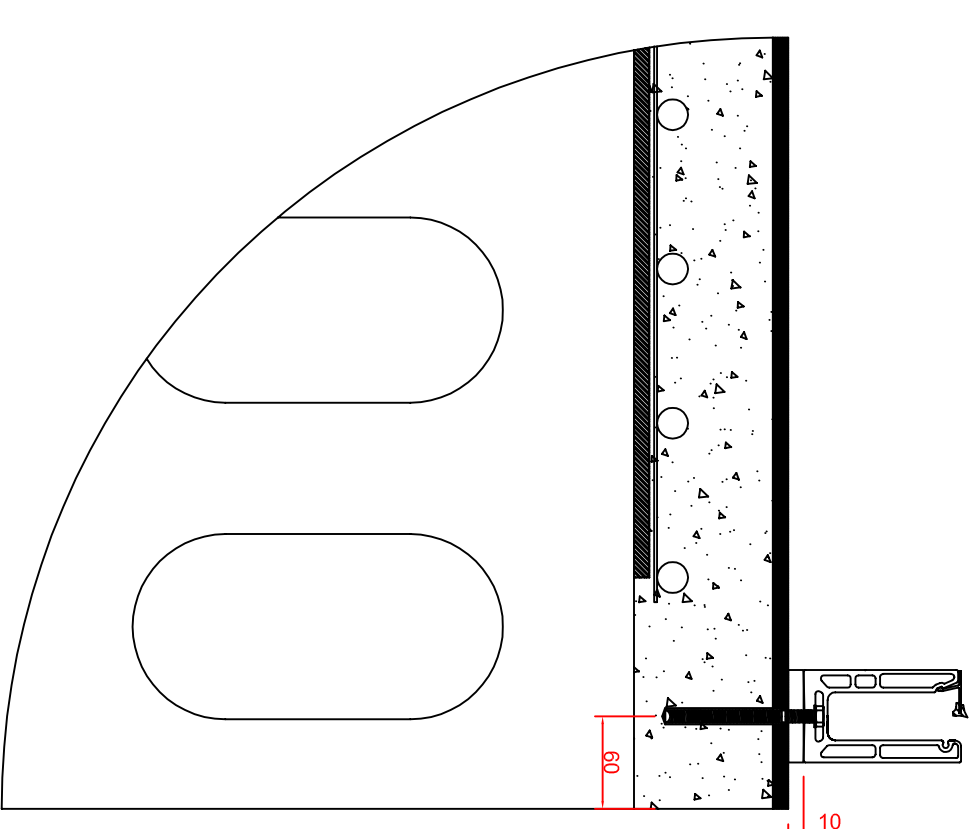
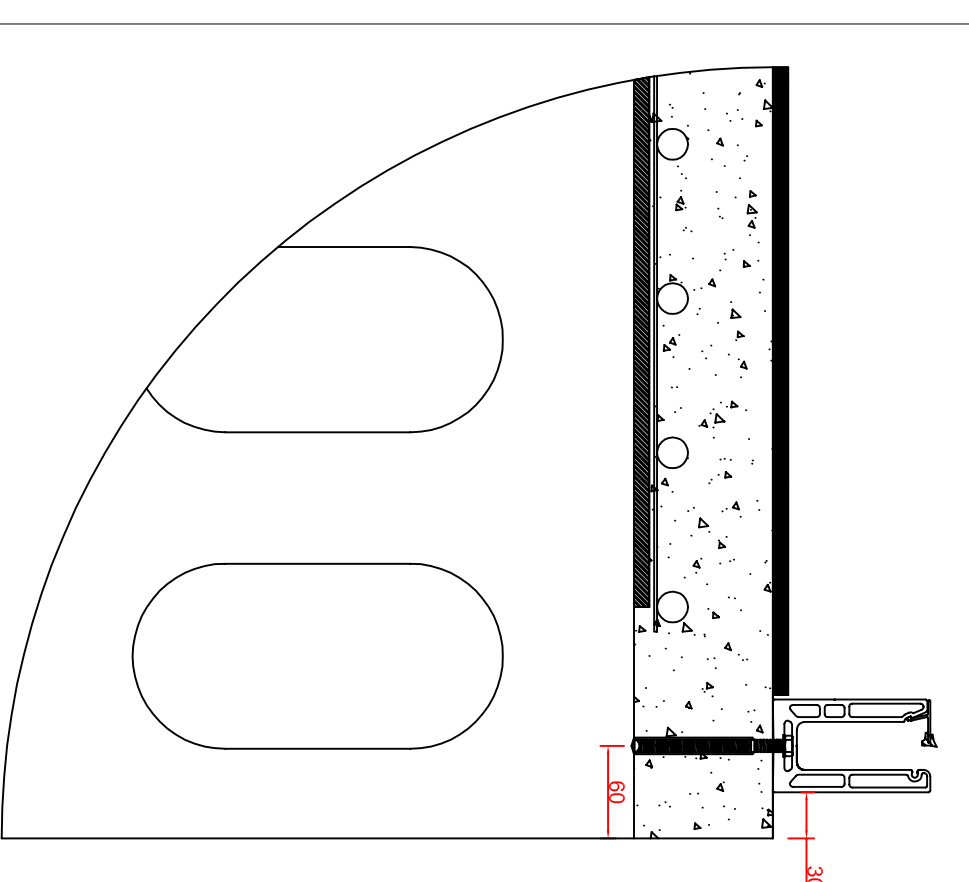


INDOORS

These attachment methods are suitable only for less than 1kN/m. When load requirement is over 1kN/m, structural engineer must approve attachment method.



OUTDOORS

These attachment methods are suitable only for less than 1kN/m. When load requirement is over 1kN/m, structural engineer must approve attachment method.

